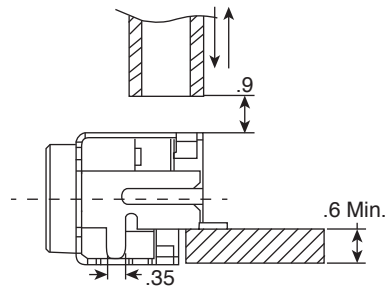
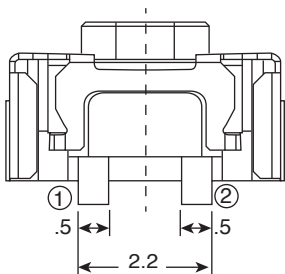
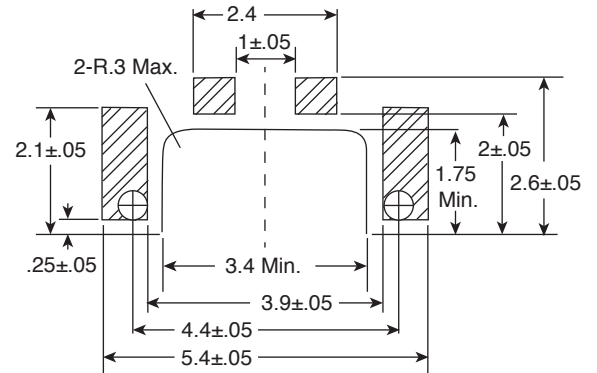
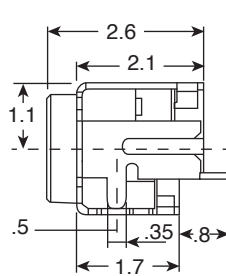
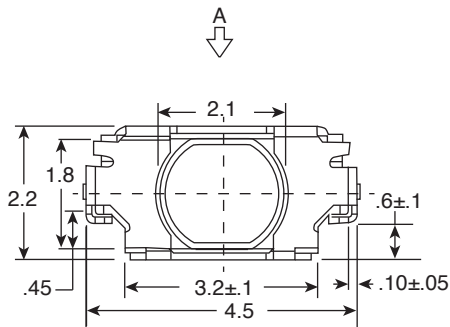
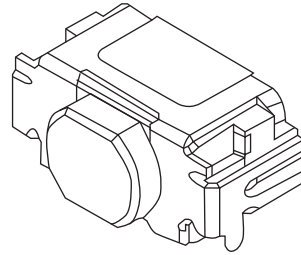
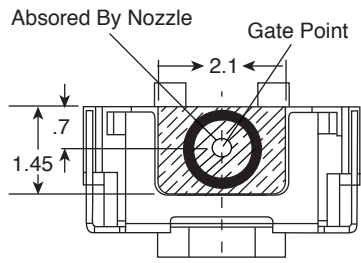


**DIMENSIONS: mm**



P.C.B Layout  
(View from the direction A)



Mount Position: Within .15mm from P.C.B edge

**Electrical Specifications:**

- Contact Resistance: 500mΩ Max.
- Insulation Resistance: 100MΩ Min.
- Rating: 50mA/12VDC

**Mechanical Specifications:**

- Operating Temperature: -30°C ~ +85°C
- Storage Temperature Range: -40°C ~ +90°C

**Note:**

- RoHS Compliant
- General Tolerances: ±0.2mm.

**Tactile Switch**  
101-TCH2R-EV

